



Find your niche



VERSATILE AND MODERN



ASSEMBLY INSTRUCTIONS

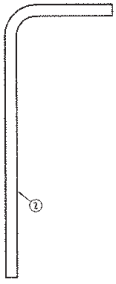
MIA STOOL 2010

BEFORE YOU ASSEMBLE:

- Place all parts on a clean, smooth surface to avoid scratching the parts
- Check to be sure you have all parts and hardware
- Remove all wrapping materials, including any staples & packing straps
- Keep all hardware, small parts and packaging out of reach of children

IN THE BOX:

A: Legs (4)



B: Stool Top (1)



C: Bolts (12)



D: Allen Wrench (1)



STEP 1

Attach 4 Bentwood Legs (A) to bottom of Stool Top (B) using 3 Bolts (C) per leg and the Allen Wrench (D). **Please note:** Line up Legs (A) and Bolts (C) with pre-drilled holes. See Figure 1.

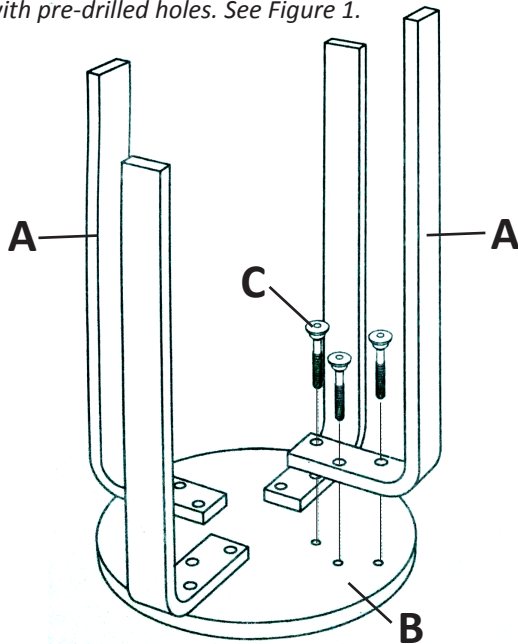


Figure 1

