



Find your niche



VERSATILE AND MODERN



ASSEMBLY INSTRUCTIONS

NICHE MIA BENTWOOD LOUNGE LOVESEAT 2075

BEFORE YOU ASSEMBLE:

- Place all parts on a clean, smooth surface to avoid scratching the parts
- Check to be sure you have all parts and hardware
- Remove all wrapping materials, including any staples & packing straps
- Keep all hardware, small parts and packaging out of reach of children

IN THE BOX:

A: Back



B: Seat



C: Base (2)



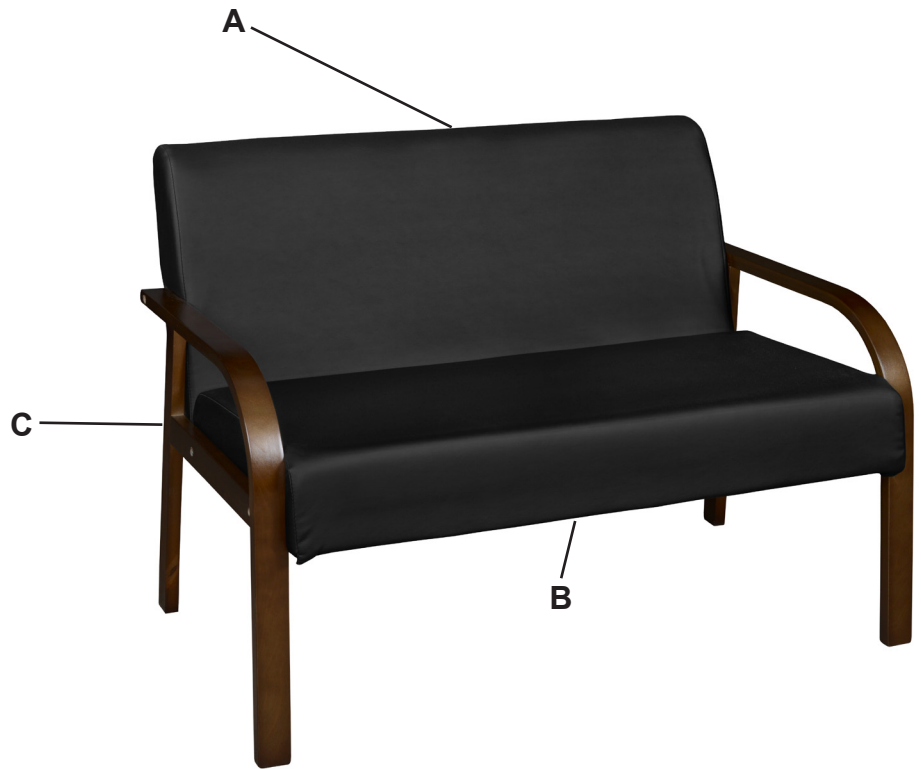
D: Allen Wrench



E: Long Bolts (7)



F: Short Bolts (4)





Find your niche



VERSATILE AND MODERN

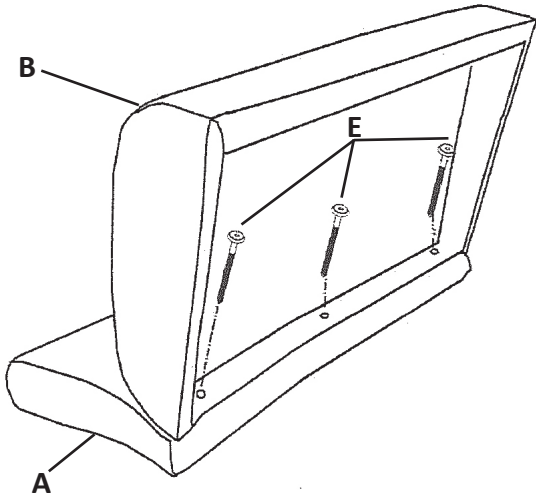


ASSEMBLY INSTRUCTIONS

NICHE MIA BENTWOOD LOUNGE LOVESEAT 2075

STEP 1

Attach Seat (B) to Back (A) using 3 Long Bolts (E).



STEP 2

Attach Base (C) assembled seat by using Long Bolts (E) and Short Bolts (F).

